

# Bluetooth 4.2 & Dual-band Wi-Fi Dongle

## —High Performance USB Dongle WFBT60

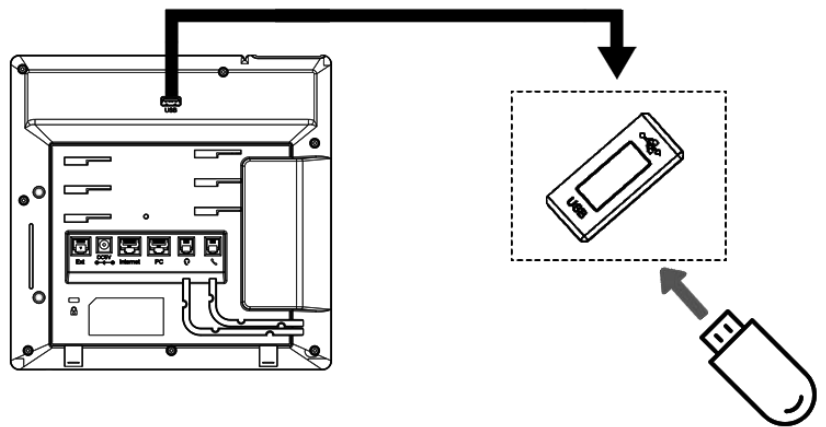
WFBT60 is designed to expand the functions of the IP Phone by enabling them to connect Bluetooth headsets and Wi-Fi network. WFBT60 supports dual-band 2.4GHz and 5GHz Wi-Fi with a wireless transmission rate up to 433.3 Mbps. By connecting to Wi-Fi, you can place your IP Phone wherever wireless network is available. The Wi-Fi function is compatible with IEEE 802.11a/b/g/n/ac to maximize reliability and throughput. WFBT60 is also compatible with Bluetooth specification V4.2, which can allow you to receive calls wherever you are in the office.

- Compatible with UC926S, UC924U, UC923U, UC921U
- USB 2.0 Interface
- Bluetooth specification: V4.2
- Dual-band Wi-Fi : 2.4GHz/5GHz



### Main Features

- Compatible with UC926S, UC924U, UC923U, UC921U
- USB 2.0 Interface
- Bluetooth specification: V4.2
- Bluetooth frequency range: 2.402GHz-2.480GHz
- Answer incoming calls through Bluetooth headset
- Terminate calls through Bluetooth headset
- Dual-band Wi-Fi :2.4GHz/5GHz
- Wireless data rate can reach up to 433Mbps
- IEEE Standards: IEEE 802.11a/b/g/n/ac
- Security: WEP, WPA/WPA2, WPA-PSK/WPA2-PSK
- Plug and Play



### Wi-Fi Transmission Rate

- 11b: 1/2/5.5/11Mbps
- 11g: 6/9/12/18/24/36/48/54Mbps
- 11n: up to 200Mbps
- 11ac: up to 433.3Mbps

### Physical Features

- Module dimension: 27mm\*16mm\*7mm
- Power Supply: DC 5V±0.3V @ 420mA (Max)
- Operating humidity: 10~90%
- Operation Temperature: 0~40°C

### Packing

- 20 PCS/CTN
- N.W/CTN: 0.45KG
- G.W/CTN: 0.65KG
- Giftbox Size: 106\*145\*10mm
- Carton Size: 245\*225\*100mm

### Learn More

To find out how Htek solutions can help your organization, visit us at [www.htek.com](http://www.htek.com) or mail to [sales@htek.com](mailto:sales@htek.com).



## About Htek

Htek is a world-class designer and manufacturer of enterprise IP phones and gateways. Since 2005, Htek (aka Hanlong Technology) has provided customers in over 90 countries worldwide with high-quality VoIP products. Htek's UC900U series IP phones continue the tradition by focusing on cutting-edge features, broad SIP compatibility, great value, and an industry-leading warranty. Htek distributes its products via channel partners, and custom designs and rebrands products for large partners such as ITSPs. Nanjing Hanlong Technology Co., Ltd. is a private company headquartered in Nanjing, China, with offices in LATAM, North America and Europe.

## Copyright © 2022 NANJING HANLONG TECHNOLOGY CO., LTD.

Copyright © 2022 Nanjing Hanlong Technology Co., Ltd. All rights reserved. No parts of this publication may be reproduced or transmitted in any form or by any means, electronic or mechanical, photocopying, recording, or otherwise, for any purpose, without the express written permission of Nanjing Hanlong Technology Co., Ltd.

## Technical Support

Visit Htek official website (<http://www.htek.com/>) for firmware downloads, product documents, FAQ, and more. For better service, we sincerely recommend you to use Htek support system (<http://support.htek.com/>) to submit all your technical issues.



## NANJING HANLONG TECHNOLOGY CO., LTD.

Tel: 0086-25-84658050 | Fax: 0086-25-84658319 | Mail: [support@htek.com](mailto:support@htek.com) | Web: [www.htek.com](http://www.htek.com)

Add:5th Floor, Building No.1, Huashen TechPark, No.10 Huashenmiao, Yuhuatai District, Nanjing, 210012, China

Copyright: ©2022 Nanjing Hanlong Technology Co., Ltd. All rights reserved.